

◆ Packing Quantity and Device Tape Orientation

Package	Tape Width	Reel Size	Pitch	Packaging Quantity			Tape Orientation	OPN Suffix
	h			Reel	Inner Box	Carton	Feed Direction	
	mm	inch	mm	kpcs	kpcs	kpcs		
SOT-89	12	7	8	1	8	32		-F2

Note 1: All MSL3 products come with an ESD/MBB bag.

Note 2: These are minimum package quantities only. Minimum order quantities may vary. Please contact your sales representative for more information on minimum order quantities.

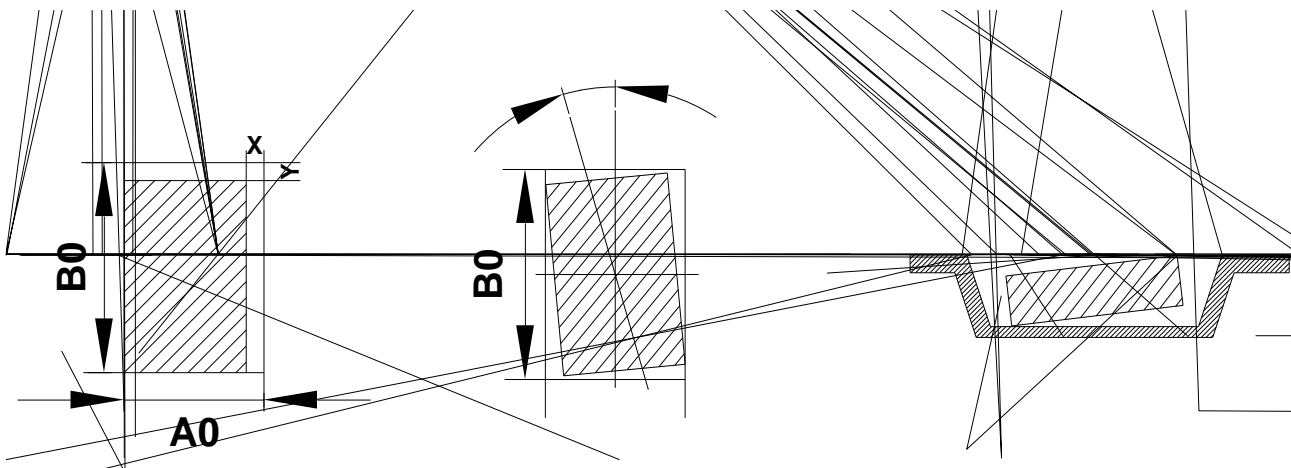
Note 3: YJ Tape&reel products meets EIA-481 specification.

Note 4: Please refer to the product datasheet for MSL level, RoHS and Halogen-Free compliance.

◆ Embossed Carrier Tape Specifications

Tape Width	A0(mm)	B0(mm)		B1(mm)	E(mm)	F(mm)	P0(mm)
12mm	Note5			Note6	1.75	5.5	4
(Tolerance)					±0.1	±0.05	±0.1

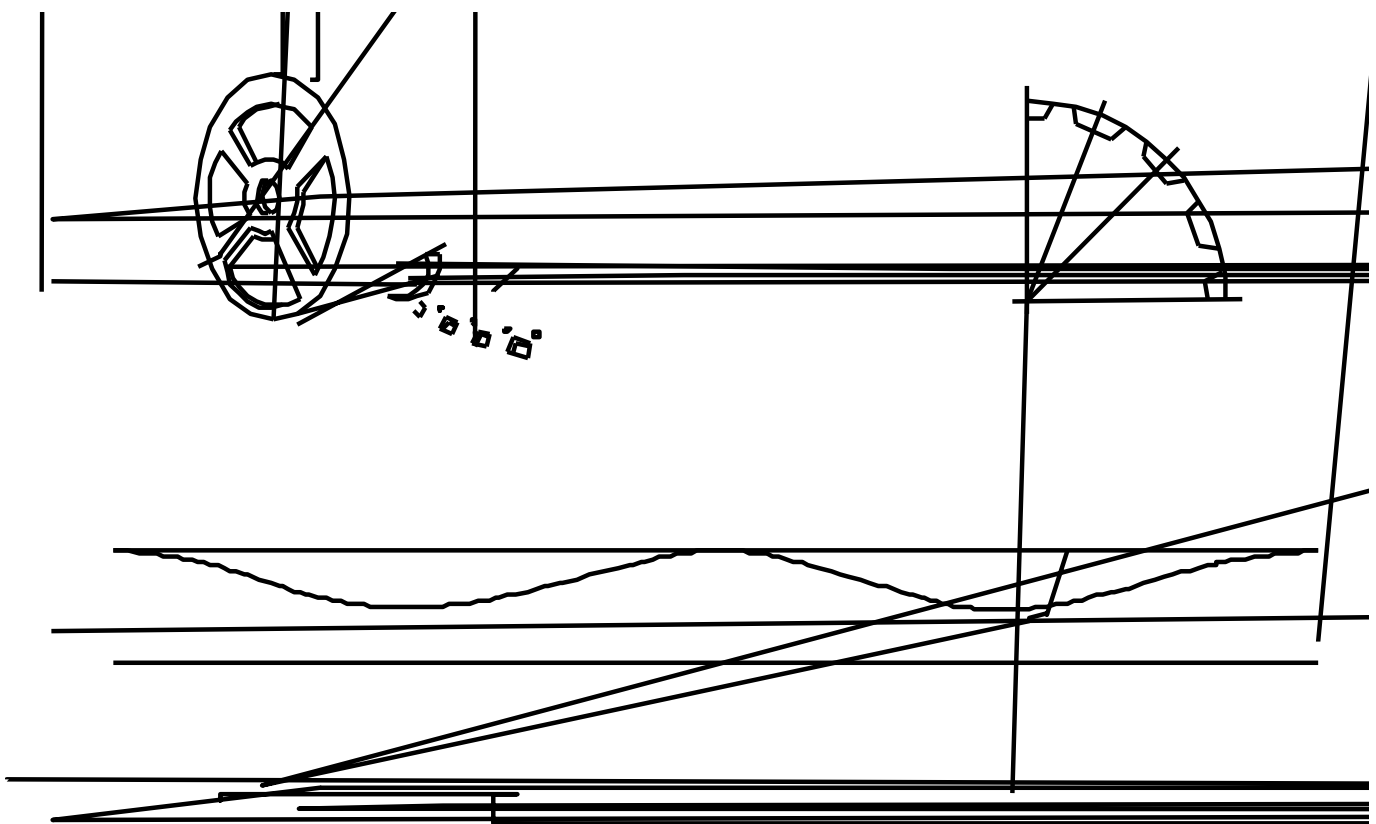
Tape Width	P1(mm)	P2(mm)	R(mm)	R0(mm)	T(mm)	T1(mm)	W(mm)
12mm	8	2	1.55	1.55	0.25	1.85	12
(Tolerance)	±0.1	±0.					



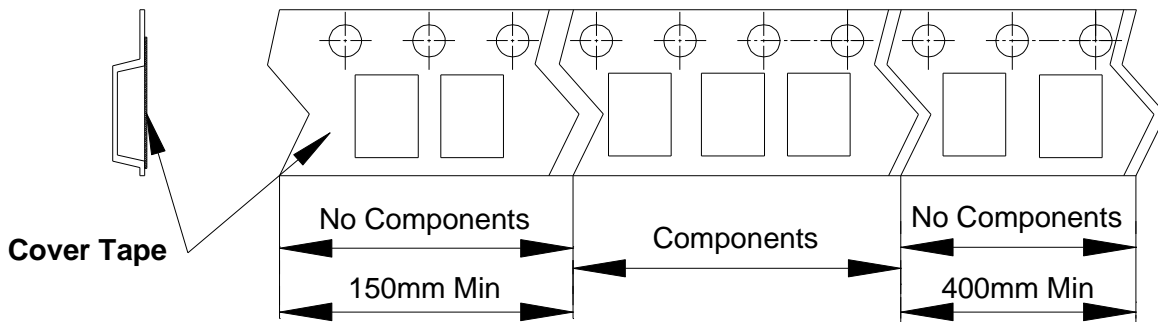
Tape width	8,12mm
X(mm)	0.5
Y(mm)	0.5

Maximum Component Rotation		
Tape width	Top View	Side View
Mm		s
8 12	20	20

◆ Embossed Carrier Tape Specifications



◆ Start and Finish Specification

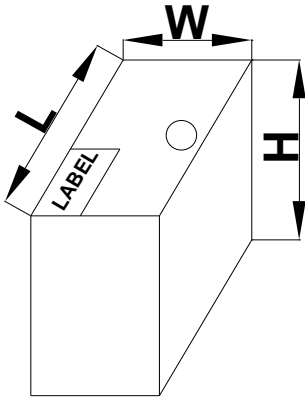


◆ Surface Mount Reel Specifications

Tape Width	A(mm)	B(mm)	C(mm)	D(mm)	N(mm)	G(mm)	T(mm)
7寸 12mm	178	3	13.3	21.1	55	12.1	16
(Tolerance)	+1/-2	±0.3	±0.3	±0.3	±1	+0.5	无阻碍

◆ Dimensions

Inbox Size



Dimension	Specification(mm typical)	
	General	ESD/MBB Bag