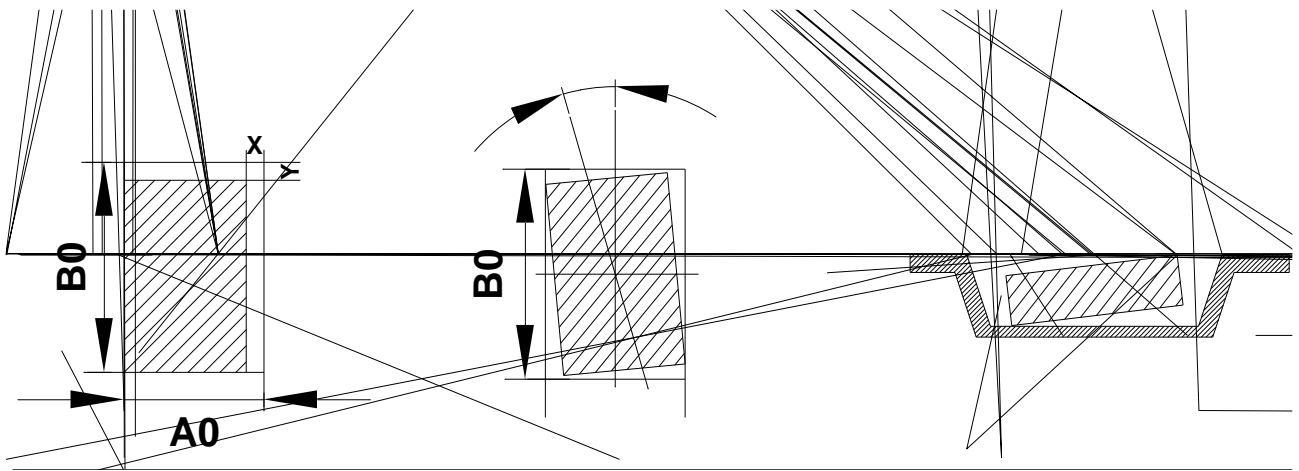
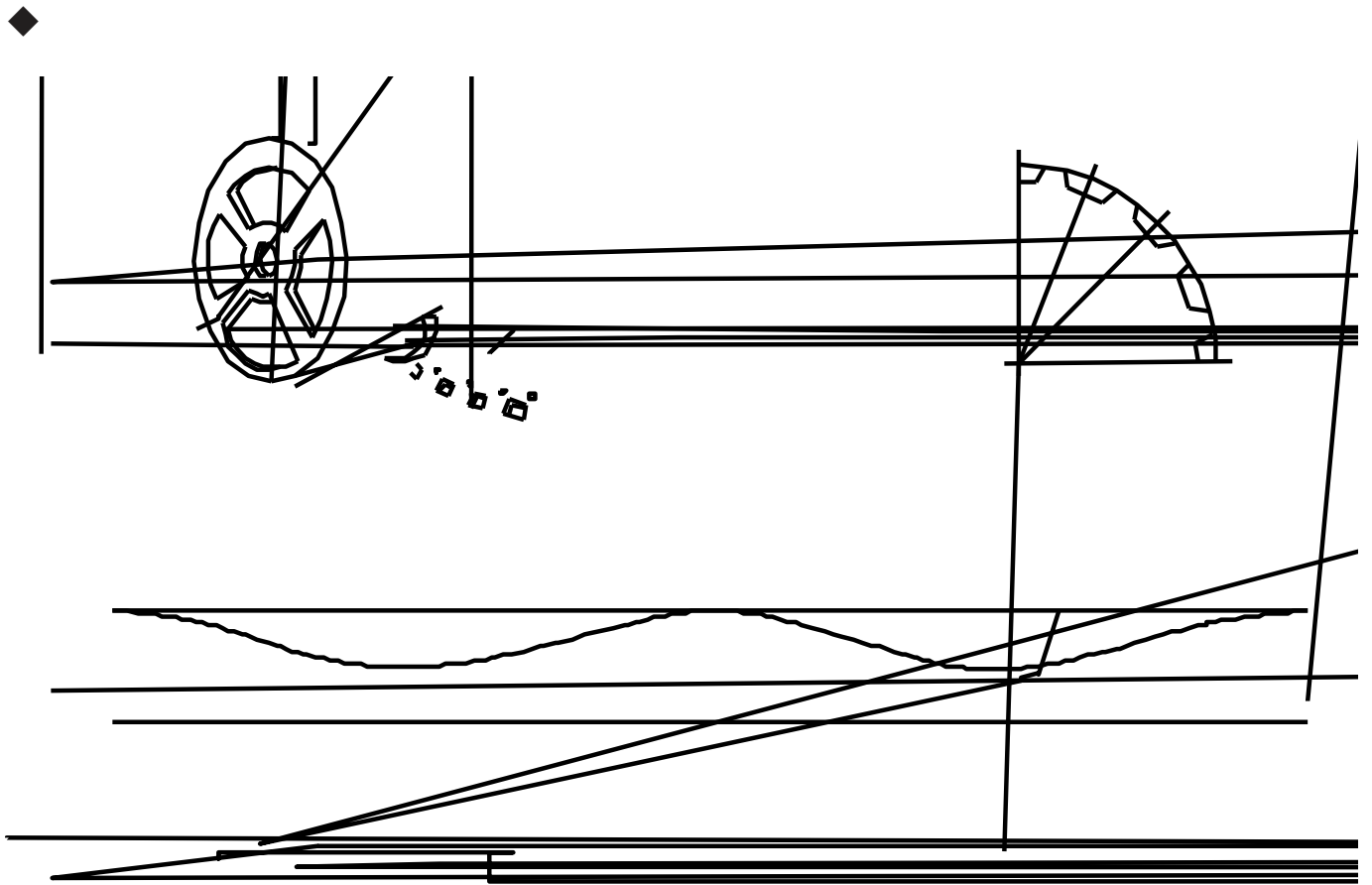


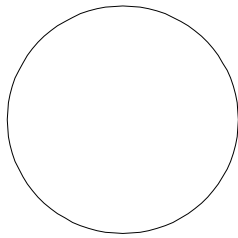
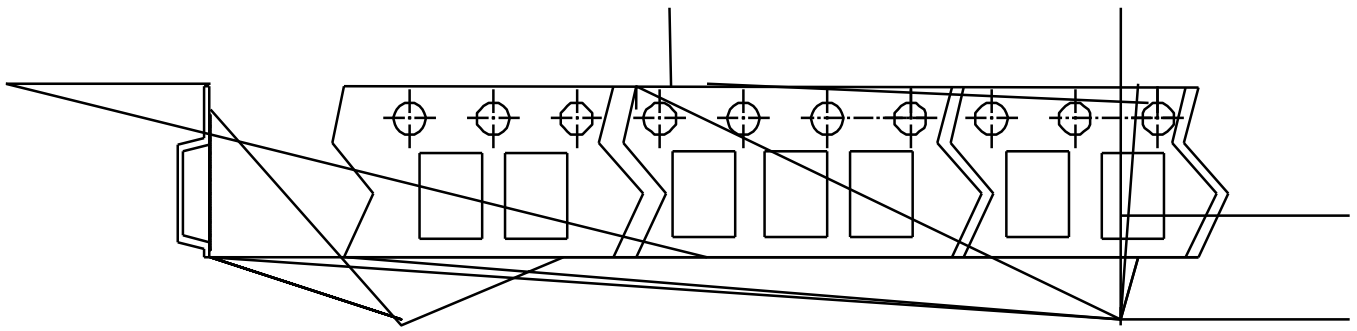


Package	Tape Width	Reel Size	Pitch	Packaging Quantity	Tape Orientation
---------	------------	-----------	-------	--------------------	------------------

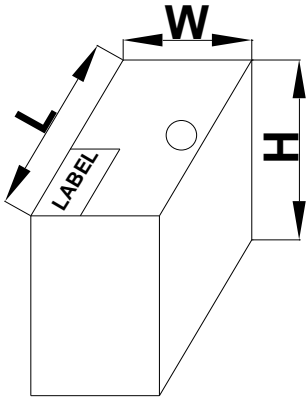


Tape wi 23

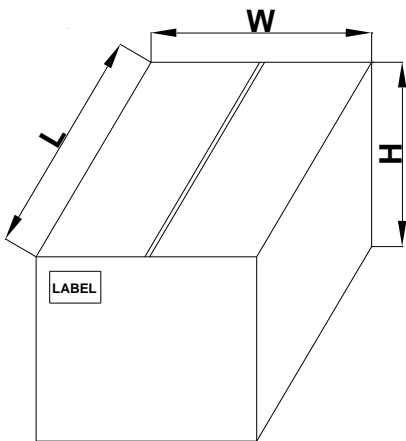




Tape Width	A(mm)	B(mm)	C(mm)	D(mm)	N(mm)	G(mm)	T(mm)
7寸8mm	178	2.3	13.5	21.1	54.4	9.3	9.3
(Tolerance)	±1	±0.3	±0.3	±0.3	±0.5	±1.5	无阻碍



Dimension	Specification(mm typical)	
	General	ESD/MBB Bag
Reel Size	7 inch	7 inch
L	187±2	245±2
W	130±2	145±2
H	187±2	212±2



Dimension	Specification(mm typical)	
	General	ESD/MBB Bag
Reel Size	7 inch	7 inch
L	390±5	510±5