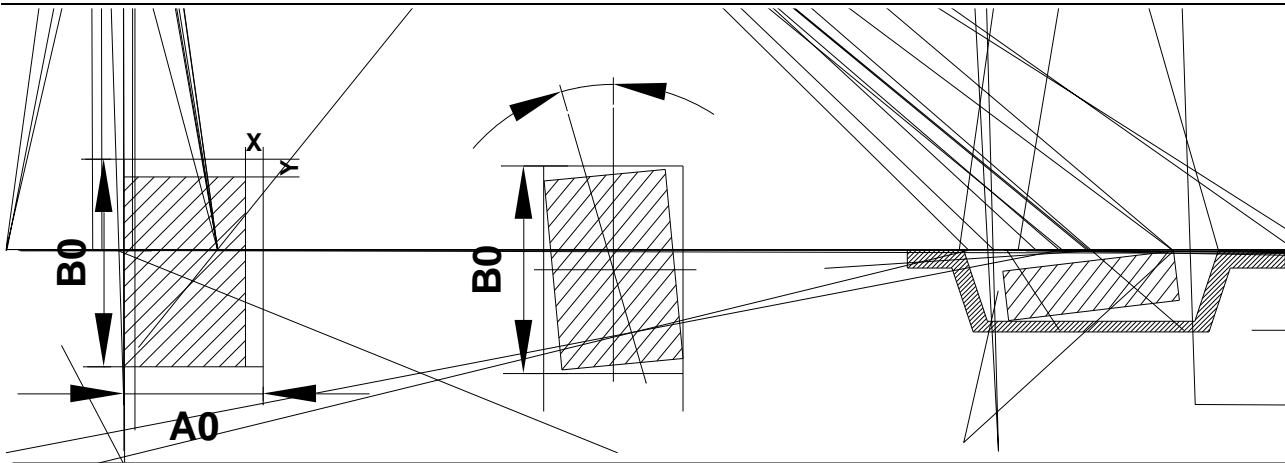


◆ Packing Quantity and Device Tape Orientation

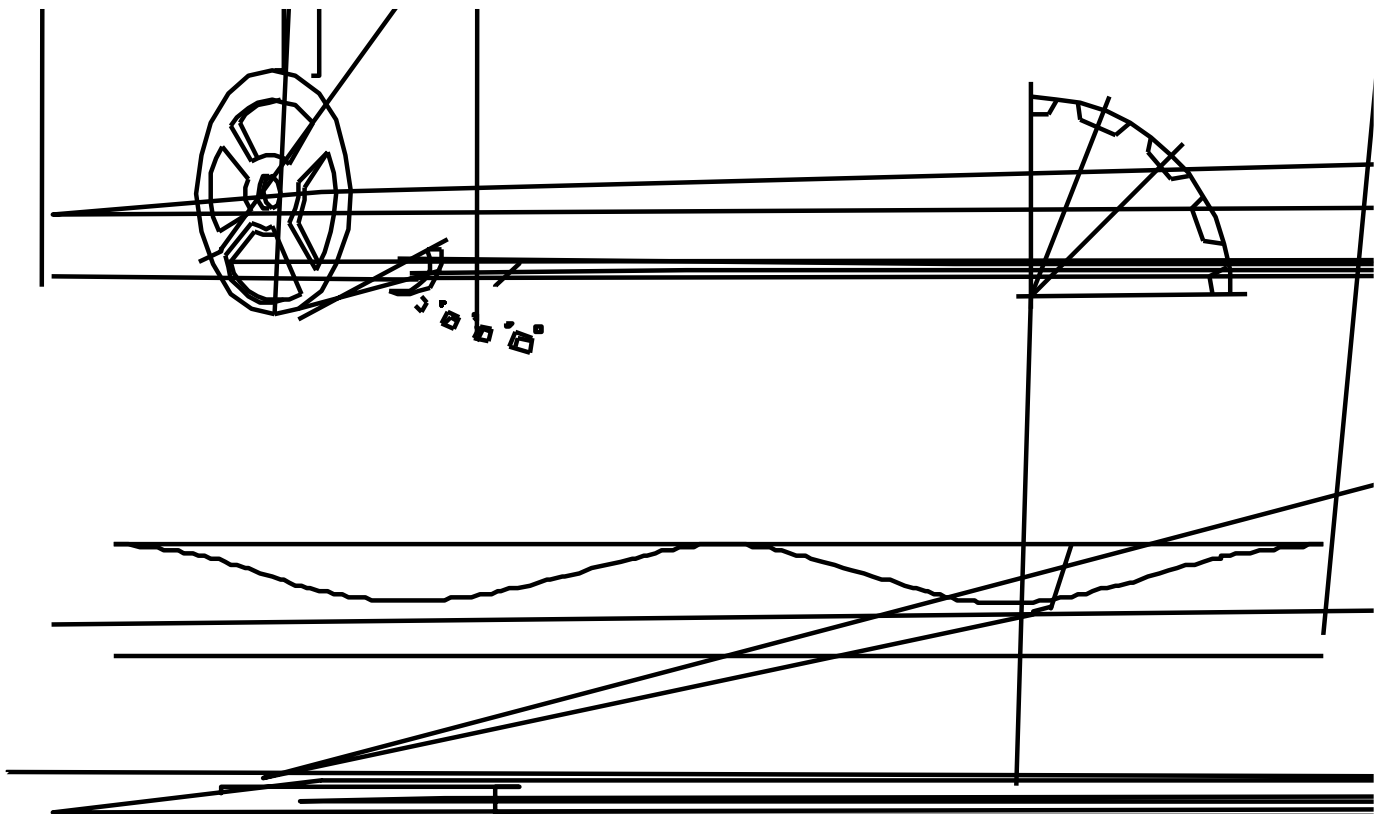
Package	Tape Width mm	Reel Size inch	Pitch mm	Packaging Quantity			Tape Orientation	OPN Suffix
				Reel kpcs	Inner Box kpcs	Carton kpcs	Feed Direction	



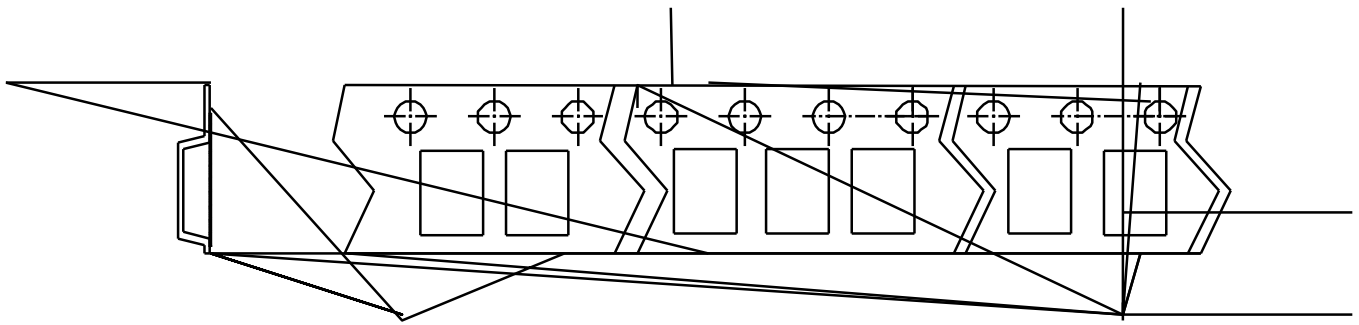
Tape width	8,12mm
X(mm)	0.5
Y(mm)	0.5

Maximum Component Rotation		
Tape width	Top View	Side View
Mm		s

◆ Embossed Carrier Tape Specifications

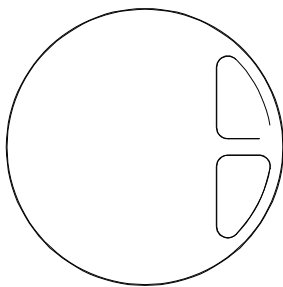


◆ Start and Finish Specification



◆ Surface Mount Reel Specifications

13"



Tape Width	A(mm)	B(mm)	C(mm)	D(mm)	N(mm)	G(mm)	T(mm)
7 寸 8mm	178	2.3	13.5	21.1	54.4	9.3	9.3
(Tolerance)	±1	±0.3	±0.3	±0.3	±0.5	±1.5	无阻碍
13 寸 8mm	330	2	13.2	21.1	100	8.4	13
(Tolerance)	±2	±0.3	±0.2	±0.3	±1.0	±2.0	无阻碍

SOT-