



# BAS521

## Small-Signal Switching Diodes

### Features

VR 250V  
I<sub>FAV</sub> 200mA

### Typical Applications

Extreme fast switches

### Mechanical Data

**Package:** SOD523  
**Terminals:** Tin plated leads, solderable per J-STD-002 and JESD22-B102  
**Polarity:** Cathode line denotes the cathode end  
**Marking:** JS

### Maximum Ratings (Ta=25 Unless otherwise specified)

PARAMETER	SYMBOL	UNIT	Conditions	VALUE
Repetitive peak reverse voltage	V <sub>RRM</sub>	V		250
Reverse Voltage	V <sub>R</sub>	V		250
Non-Repetitive Peak Forward Surge Current	I <sub>FSM</sub>	A	t=8.3ms, Half sine-wave	2
Average forward current	I <sub>FAV</sub>	mA		200
Power dissipation	P <sub>D</sub>	mW		150
Junction temperature	T <sub>j</sub>			150
Storage temperature range	T <sub>stg</sub>			-55 to +150

### Electrical Characteristics Ta=25 Unless otherwise specified

PARAMETER	SYMBOL	UNIT	Conditions	Min	Max
Maximum Forward voltage	V <sub>F</sub>	V	I <sub>F</sub> =100mA		1.1
Maximum Reverse current	I <sub>R</sub>	nA	V <sub>R</sub> =250V		150
Minimum Breakdown voltage	V <sub>R</sub>	V	I <sub>R</sub> =100uA	250	
Maximum Diode capacitance	C <sub>D</sub>				

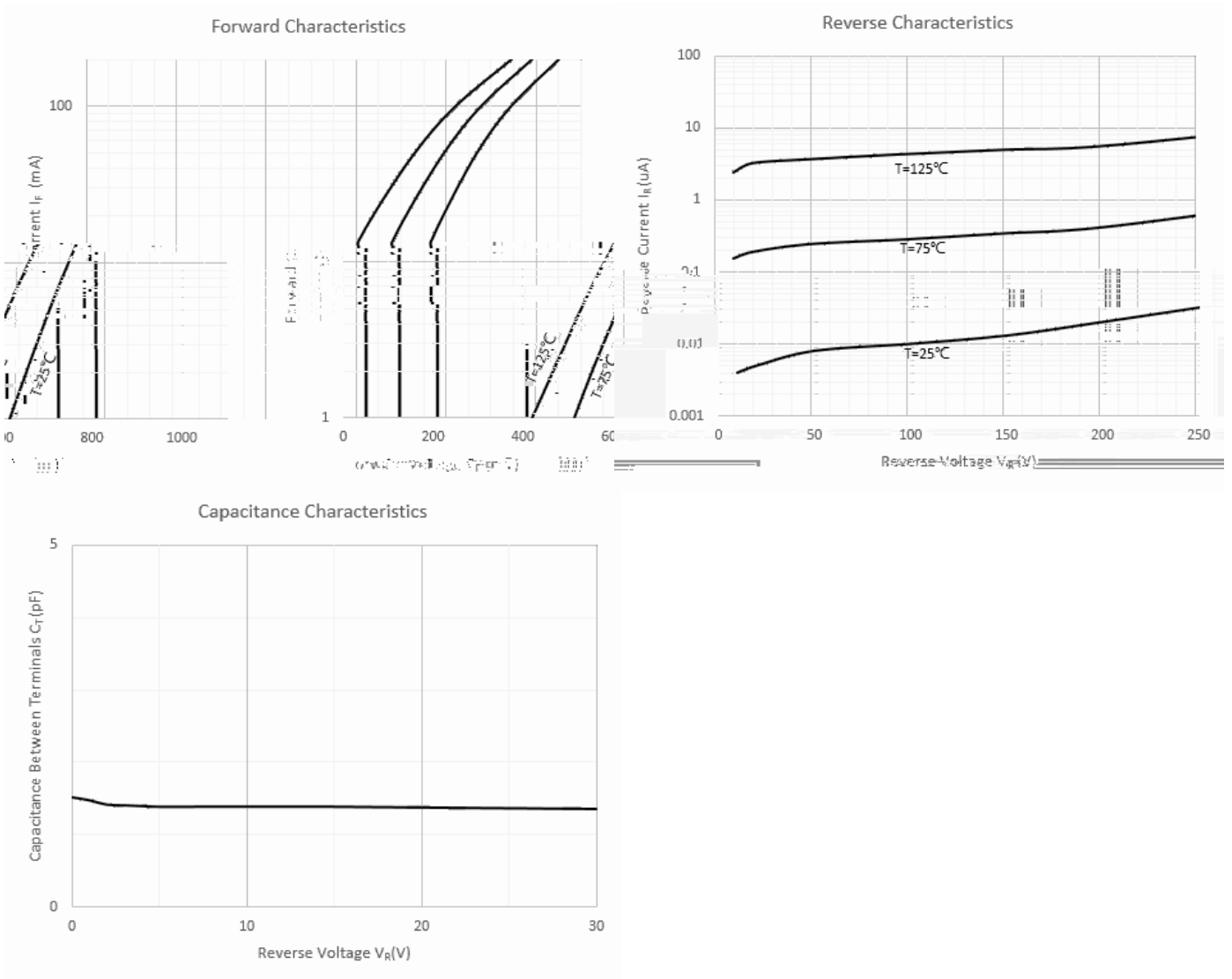


# BAS521

## Ordering Information (Example)

PREFERRED P/N	PACKING CODE	UNIT WEIGHT(g)	MINIMUM PACKAGE(pcs)	INNER BOX QUANTITY(pcs)	OUTER CARTON QUANTITY(pcs)	DELIVERY MODE
BAS521	F2	Approximate 0.002	8000	80000	320000	7" reel

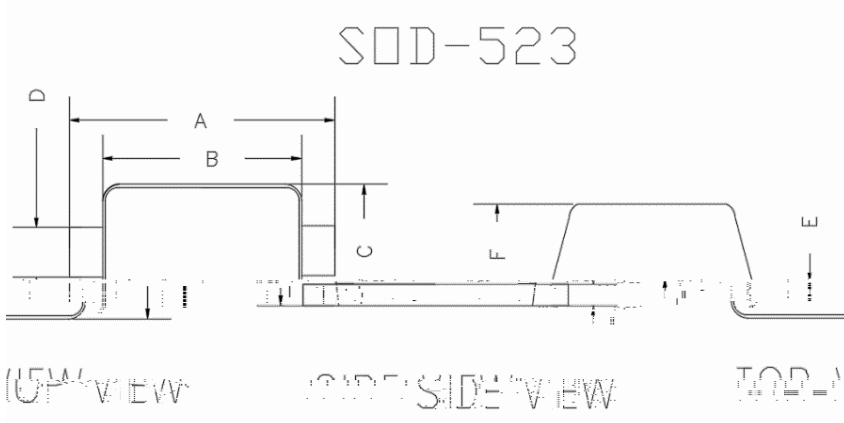
## Characteristics(Typical)





# BAS521

## Outline Dimensions



DIMENSIONS				
DIM	INCHES		MM	
	MIN	MAX	MIN	MAX
A	0.059	0.067	1.500	1.700
B	0.043	0.051	1.100	1.300
C	0.014	0.250	0.350	
D	0.008	0.050	0.200	
E	0.028	0.100	0.700	
F	0.028	0.100	0.700	

## Soldering Footprint

