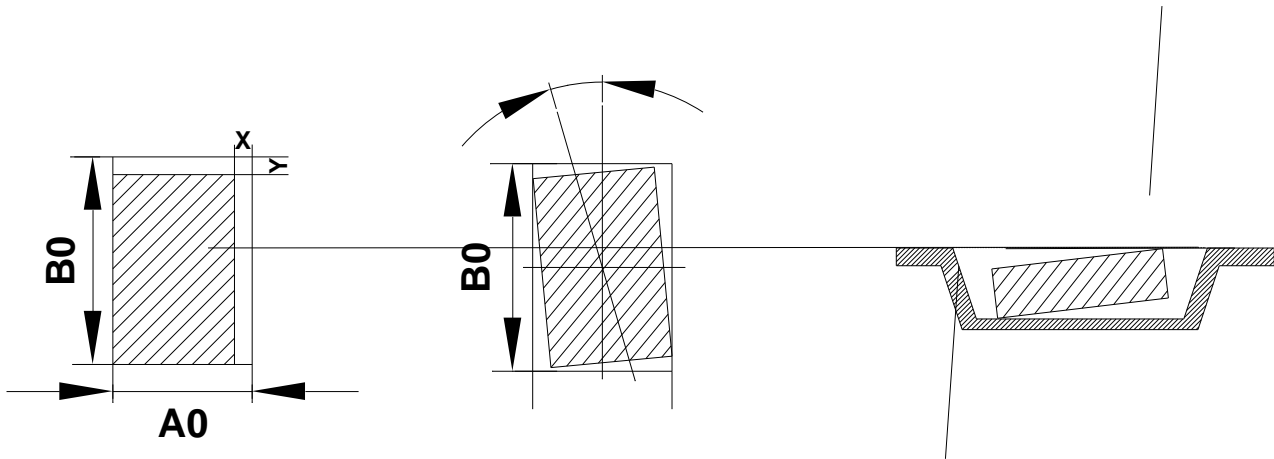


◆ Packing Quantity and Device Tape Orientation

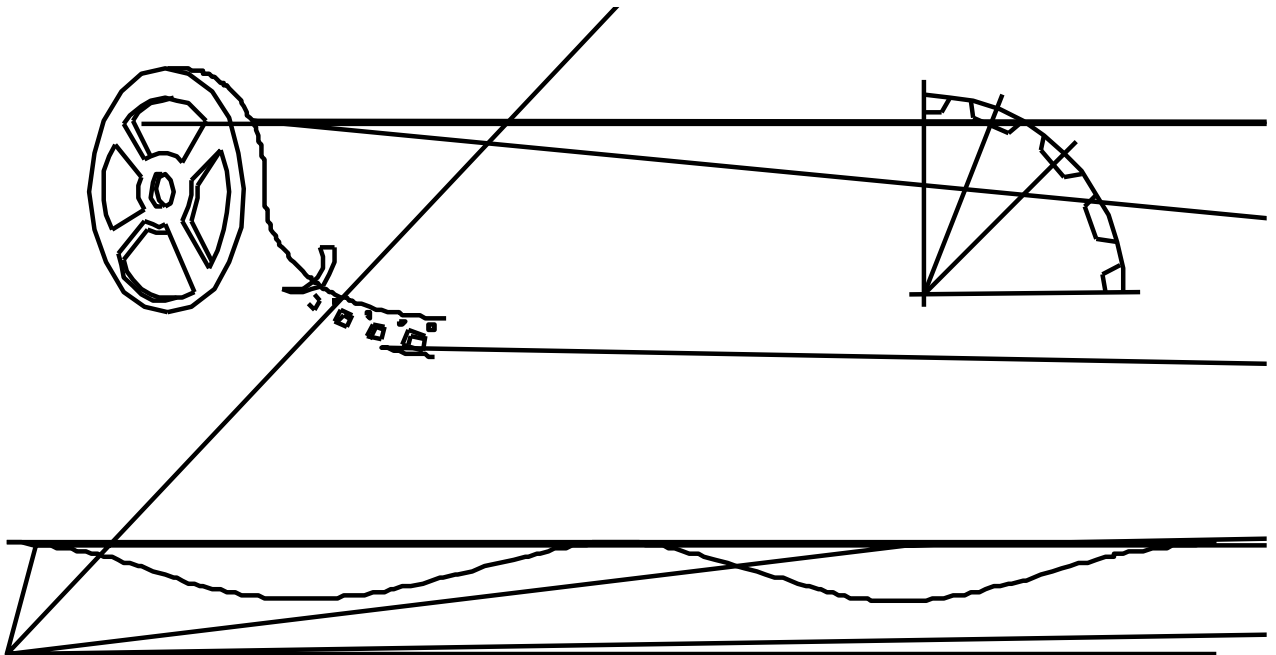
Package	Tape Width h mm	Reel Size	Pitch	Packaging Quantity			Tape Orientation	OPN Suffix
				Reel	Inner Box	Carton	Feed Direction	



Tape width	8,12mm
X(mm)	0.5
Y(mm)	0.5

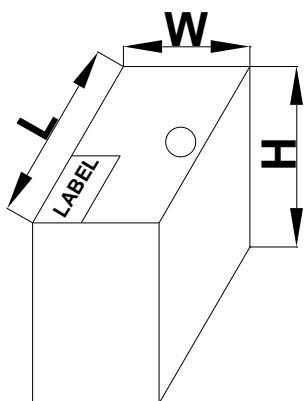
Maximum Component Rotation		
Tape width	Top View	Side View
Mm		s
8 12	20	20

◆ Embossed Carrier Tape Specifications



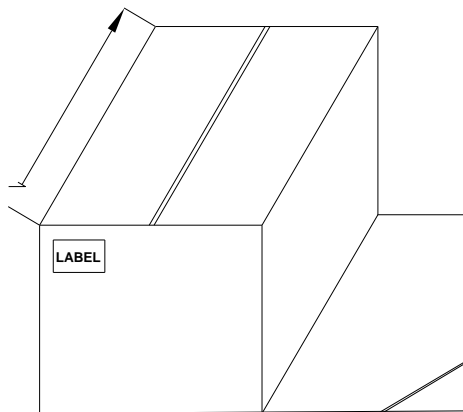
◆ Dimensions

Inbox Size



Dimension	Specification(mm typical)	
	General	ESD/MBB Bag
Reel Size	7 inch	7 inch
L	187±2	245±2
W	130±2	145±2
H	187±2	212±2

Carton Size



Dimension	Specification(mm typical)	
	General	ESD/MBB Bag
Reel Size	7 inch	7 inch
L	390±5	510±5
W	275±5	305±5
H	207±5	235±5