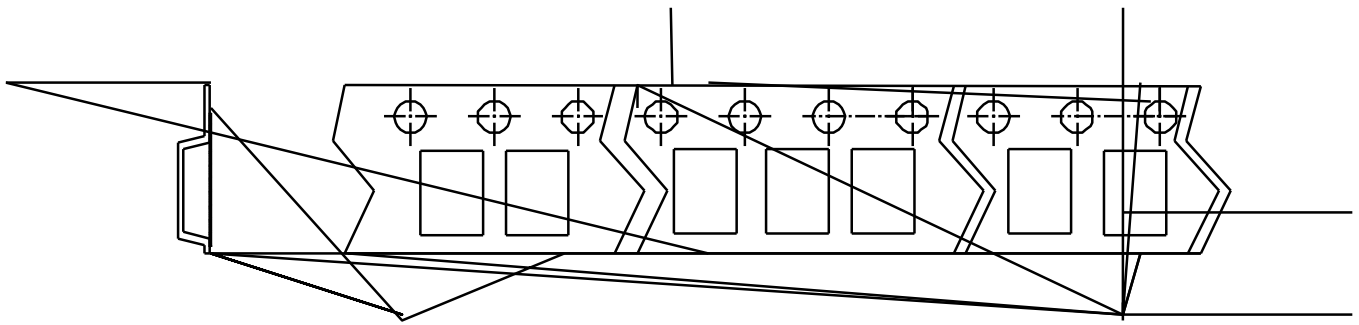


Tape width	8,12mm
X(mm)	0.5
Y(mm)	0.5

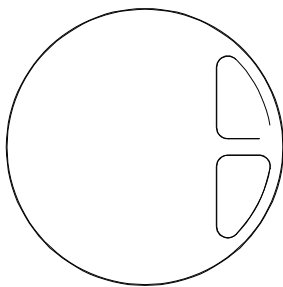
◆ Embossed Carrier O ° d i rrier O P

◆ Start and Finish Specification



◆ Surface Mount Reel Specifications

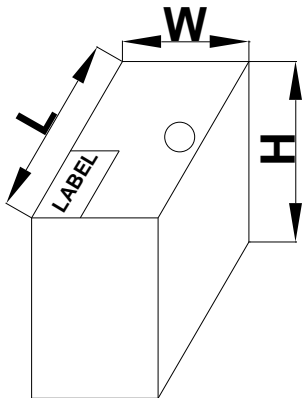
13"



Tape Width	A(mm)	B(mm)	C(mm)	D(mm)	N(mm)	G(mm)	T(mm)
7 寸 8mm	178	2.3	13.5	21.1	54.4	9.3	9.3
(Tolerance)	±1	±0.3	±0.3	±0.3	±0.5	±1.5	无阻碍
13 寸 8mm	330	2	13.2	21.1	100	8.4	13
(Tolerance)	±2	±0.3	±0.2	±0.3	±1.0	±2.0	无阻碍

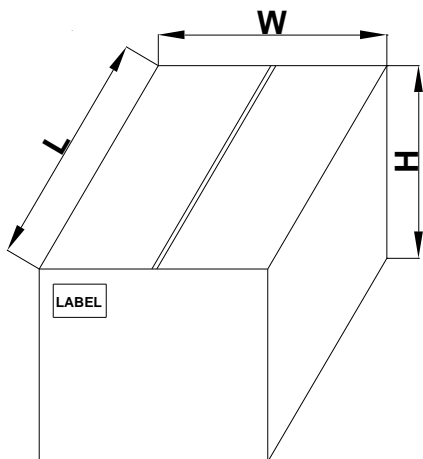
◆ Dimensions

Inbox Size



Dimension	Specification(mm typical)		
	General		ESD/MBB Bag
Reel Size	7 inch		13 inch
L	187±2	245±2	370±3
W	130±2	145±2	340±3
H	187±2	212±2	55±3

Carton Size



Dimension	Specification(mm typical)			
	General		ESD/MBB Bag	
Reel Size	7 inch	13 inch	7 inch	13 inch
L	390±5	355±5	510±5	385±5
W	275±5	345±5	305±5	365±5
H	207±5	290±5	235±5	315±5