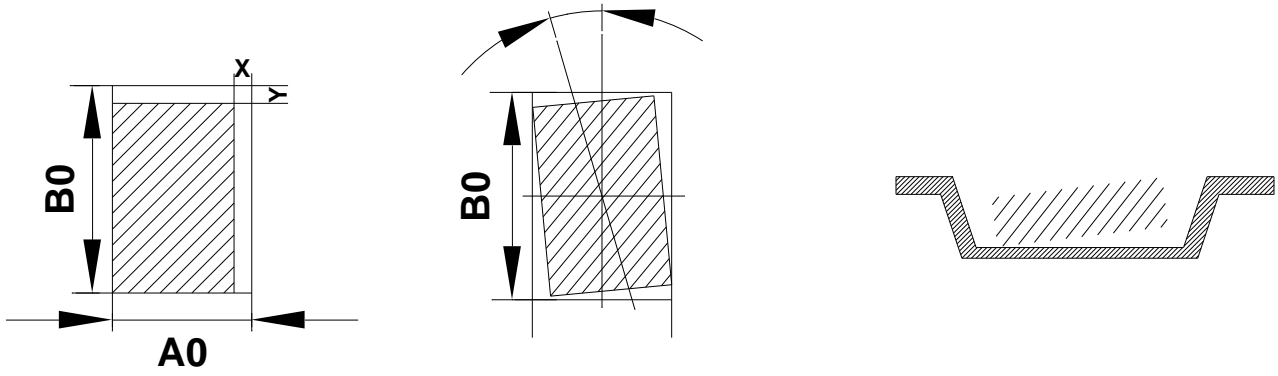




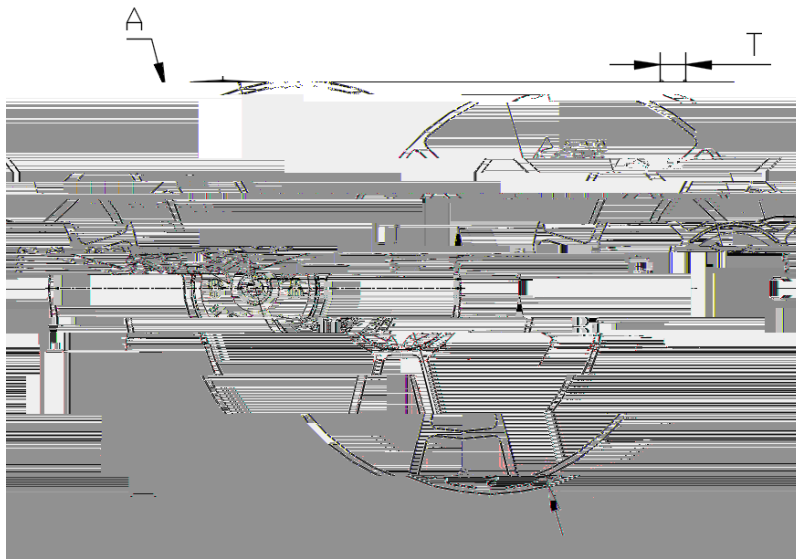
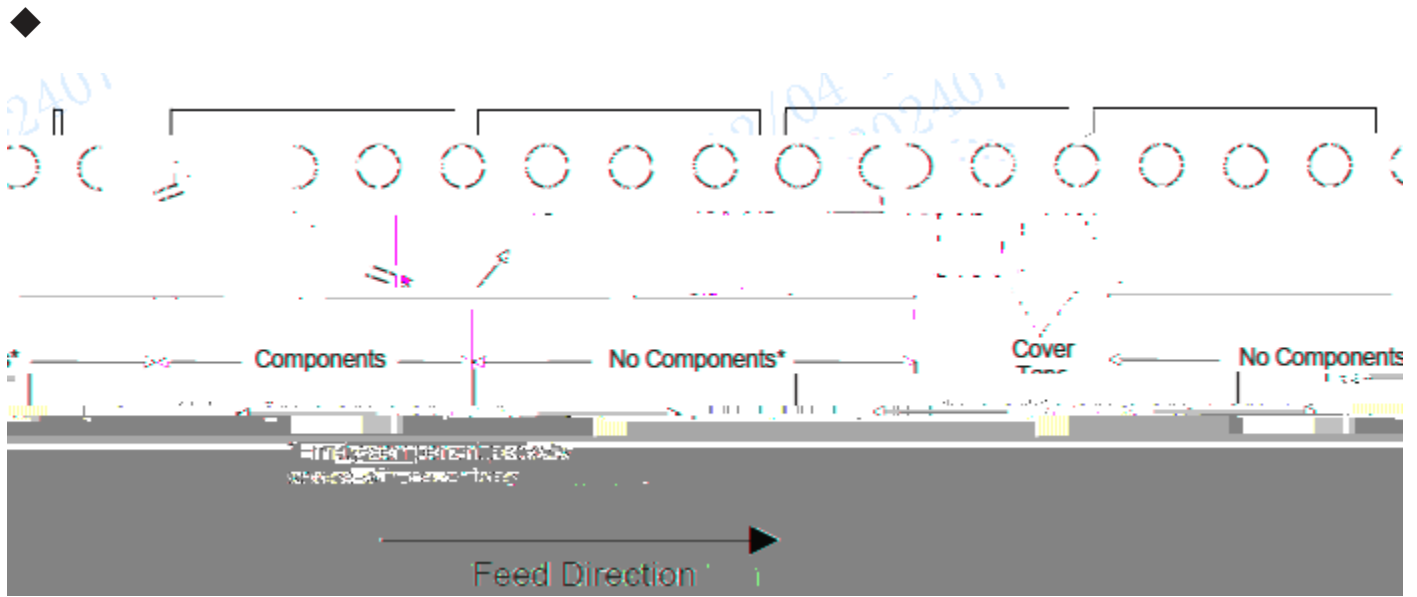
Package	Tape Width	Reel Size	Pitch	Packaging Quantity			Tape Orientation	OPN Suffix
				Reel	Inner Box	Carton	Feed Direction	



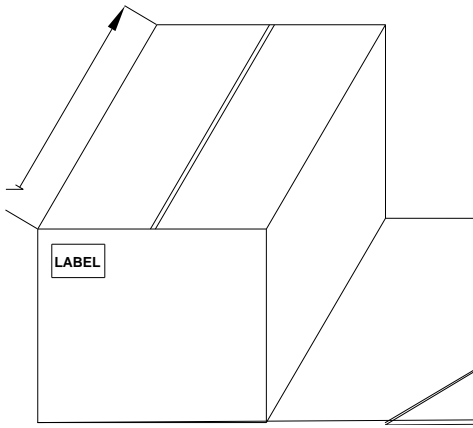
Tape width	16mm
X(mm)	0.5
Y(mm)	0.5

Maximum Component Rotation		
Tape width	Top View	Side View
Mm		s
16	20	20





Tape Width	A(mm)	B(mm)	C(mm)	T(mm)
16 mm	330	13.5	100	19.9
(Tolerance)	±2	±0.5	±2	±2



Dimension	Specification(mm typical)
Reel Size	13 inch
L	355
W	345
H	315