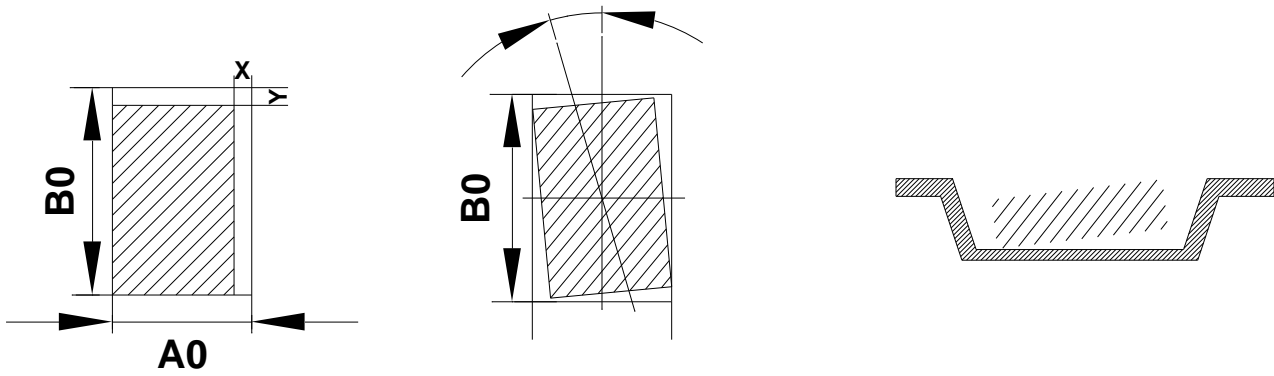


**◆ Packing Quantity and Device Tape Orientation**

Package	Tape Width	Reel Size	Pitch	Packaging Quantity			Tape Orientation	OPN Suffix
				Reel	Inner Box	Carton	Feed Direction	

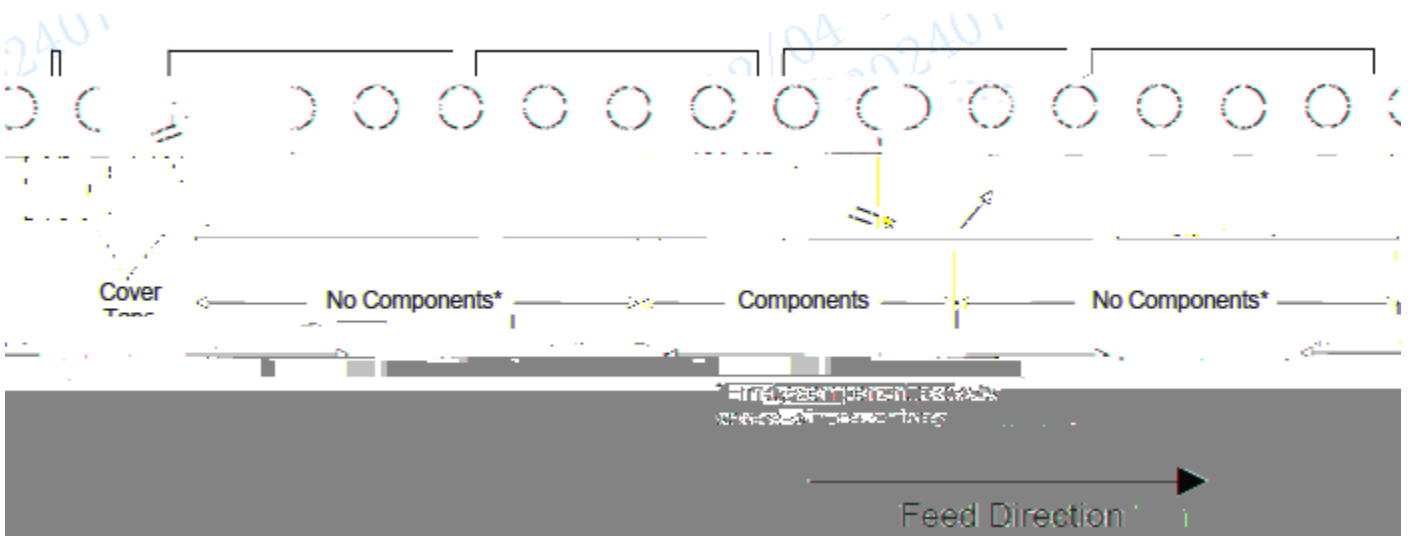


Tape width	16mm
X(mm)	0.5
Y(mm)	0.5

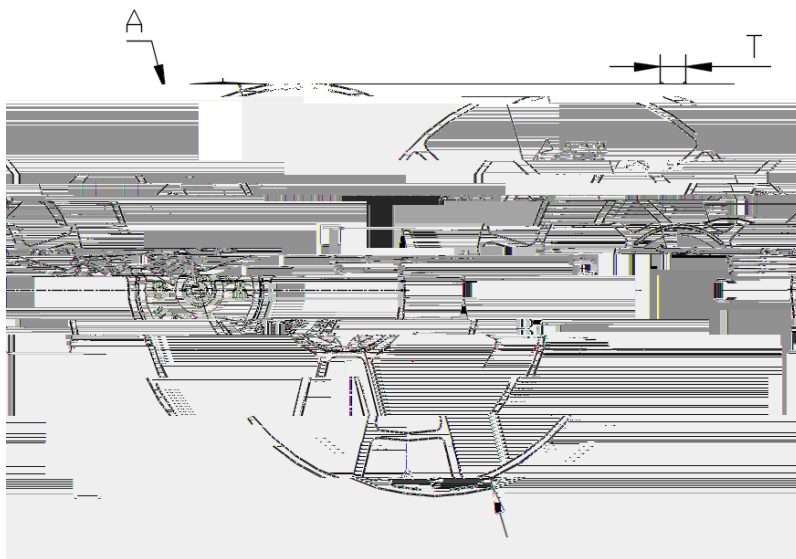
Maximum Component Rotation		
Tape width	Top View	Side View
Mm		s
16	20	20

◆ Embossed Carrier Tape Specifications

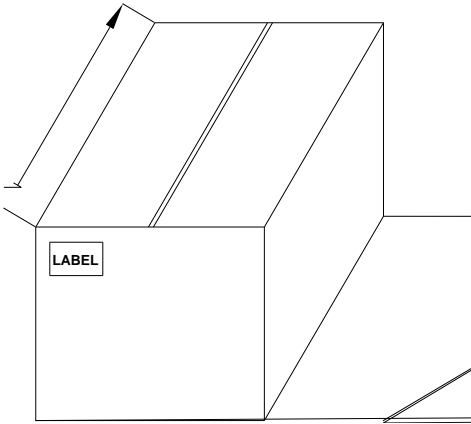
◆ Start and Finish Specification



◆ Surface Mount Reel Specifications



Tape Width	A(mm)	B(mm)	C(mm)	T(mm)
16 mm	330	13.5	100	19.9
(Tolerance)	±2	±0.5	±2	±2

**◆ Dimensions****Carton Size**

Dimension	Specification(mm typical)
Reel Size	13 inch
L	355
W	345
H	315